

MU-ECOTOP

THE STARTING POINT FOR BETTER MULCHING

IT'S ALL ABOUT THE BASICS

- From pasture care to mulching work around the farmstead - everything is possible
- Müthing mulching quality with the equipment you need
- Simple handling: Both mounting and working



Driving power in hp:



Working width in metres:



The headstock of the MU-ECOTOP allows the mulcher to be drawn directly behind the tractor or offset to the side.



High quality components even on entry-level variants is typical of Müthing.



Rear roller bearing from top-of-the-range equipment.



Direct power transmission with pre-tensioned belts of premium quality.



Technical Specifications

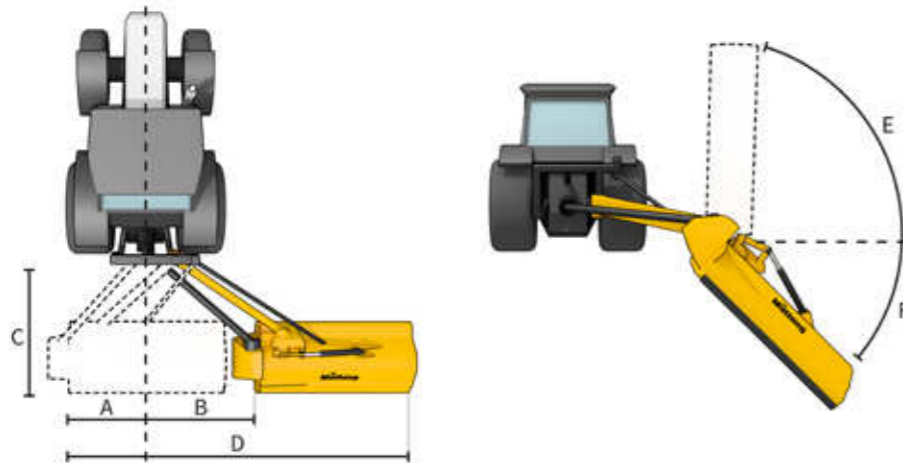
MU-ECOTOP	160	180	200
Working width (cm)	160	180	200
Total width (cm)	177	197	217
Max. tractor hp 540/1000 rpm	60/75	60/75	60/75
Weight (kg)	352	372	390
Number of hammer flails	14	16	16

TECHNICAL DATA

	ECOTOP	MU-H Vario	MU-H/S Vario	MU-L Vario	MU-L/S Vario	MU-L/VS	MU-M Vario	MU-M/F Vario
Dimensions and weights								
Working width (cm)	160 180 200	120 140 150 160 180 200 220	140 160 180 200	180 200 220 250 280	200 220 250	160 180 200	220 250 280 300	600
Transport width (cm)	177 197 217	137 157 167 177 197 217 237	n/a	197 217 237 267 297	n/a	n/a	240 270 300 320	285
Weight (kg)	352 372 390	380 465 480 500 535 555 635	650 660 690 720	640 670 740 790 885	910 930 950	950 980 1010	905 975 1010 1085	2700
Driving power								
Power demand* (hp)	30/75	75/90	90	100/130	130	130	160	250
Max. driving power (hp)	75	90	90	130	130	130	160	250
PTO shaft speed* (rpm)	540/1000	540/1000	540	540/1000	540	1000	1000	1000
Freewheel	■	■	■	■	■	■	■	■
Number of V-belts	3	3	4	4	4	4	4	5
Mounting								
Front	-	□	-	□	-	-	-	-
Rear	Cat. 1+2	□	Cat. 2	□	Cat. 2	Cat. 2	-	Cat. 2+3
Front-Rear	-	Cat. 1+2	-	Cat. 1+2	-	-	Cat. 2	-
Mechanical side shift (cm)	-	■	-	■	-	-	-	-
Hydraulic side shift (cm)	-	□	■	□	■	□	■	-
Swivel range (°)	-	-	-60° - +90°	-	-60° - +90°	-60° - +90°	-	-
Control devices	-	min. 1 DA	min. 2 DA	min. 1 DA	min. 2 DA	min. 2 SA	min. 1 DA	min. 2 SA
Working/adjustment ranges								
A: Adjustment range to left / A: Side mounting to right	-	n/a	55 55 55 55	n/a	70 70 70	117 117 117	n/a	-
B: Adjustment range to right	-	n/a	100 100 100 100	n/a	105 105 105	177 177 177	n/a	-
C: Transport length to rear / C: Total width to right	-	n/a	185 185 185 185	n/a	200 200 200	337 357 377	n/a	-
D: Total working range incl. equipment width	-	n/a	295 315 335 355	n/a	375 395 425	n/a	n/a	-
E: Angular range upwards	-	-	90°	-	90°	90°	-	-
F: Angular range downwards	-	-	60°	-	60°	60°	-	-

* Some model series can be converted from 540 rpm to 1000 rpm, which makes higher driving powers permissible - in these cases you will see two horsepower values.

- Not available ■ Standard □ Optional



Working/adjustment ranges for the following models:

- MU-H/S Vario
- MU-L/S Vario
- MU-PRO/S Vario

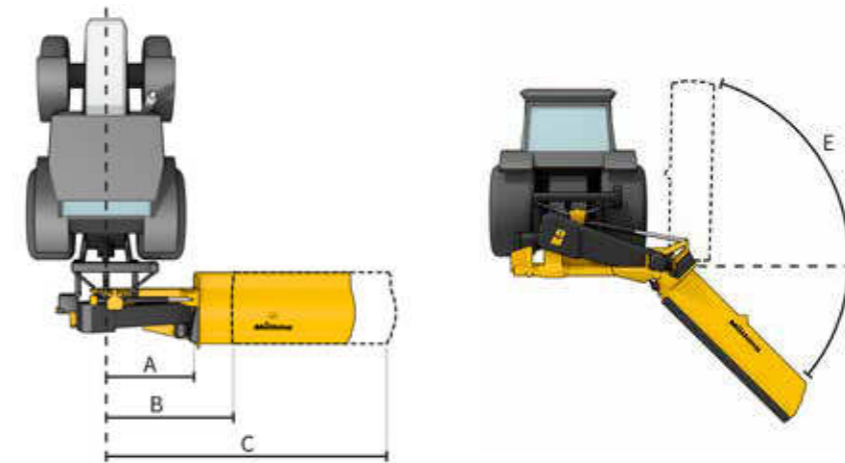
Some illustrations show optional equipment.

The right to technical revision is reserved. Illustrations may not show the latest production version.

	MU-M/S	MU-PRO Vario	MU-PRO/F Vario	MU-PRO/S Vario	MU-Farmer®-Rear	MU-Farmer®-Front	MU-Farmer 670®	MU-Farmer/S®
Dimensions and weights								
Working width (cm)	180 200 220 250	250 280 300 320	860	250	280 300 330	280 300	670	420
Transport width (cm)	345 365 385 415	270 300 320 340	285	n/a	300 320 350	300 320	238	298
Weight (kg)	1140 1210 1280 1380	1330 1400 1460 1500	3600	1900	1860 1940 2200	1770 1850	4460	4060
Driving power								
Power demand* (hp)	160	220	500	220	220	220	300	280
Max. driving power (hp)	160	220	500	220	220	220	300	280
PTO shaft speed* (rpm)	1000	1000	1000	1000	1000	1000	1000	1000
Freewheel	■	■	■	■	■	■	■	■
Number of V-belts	4 / 5	5	10	5	5	5	10	5
Mounting								
Front	-	-	-	-	-	Cat. 2+3	-	-
Rear	Cat. 2+3	-	Cat. 3+4	Cat. 3	Cat. 2+3	-	Cat. 3	Cat. 3
Front-Rear	-	Cat. 2+3	-	-	-	-	-	-
Mechanical side shift (cm)	-	-	-	-	-	-	-	-
Hydraulic side shift (cm)	■	■	-	■	-	-	-	-
Swivel range (°)	-60° - +90°	-	-	-60° - +90°	-	-	-	-
Control devices	min. 2 DA	min. 1 DA	min. 2 DA	min. 2 DA	-	-	-	-
Working/adjustment ranges								
A: Adjustment range to left / A: Side mounting to right	120 120 120 120	n/a	103	-	-	-	-	-
B: Adjustment range to right	165 165 165 165	n/a	193	-	-	-	-	-
C: Transport length to rear / C: Total width to right	345 365 385 415	n/a	370	-	-	-	-	-
D: Total working range incl. equipment width	n/a	n/a	546	-	-	-	-	-
E: Angular range upwards	90°	-	90°	-	-	-	-	-
F: Angular range downwards	60°	-	60°	-	-	-	-	-

* Some model series can be converted from 540 rpm to 1000 rpm, which makes higher driving powers permissible - in these cases you will see two horsepower values.

- Not available ■ Standard □ Optional



Working/adjustment ranges for the following models:

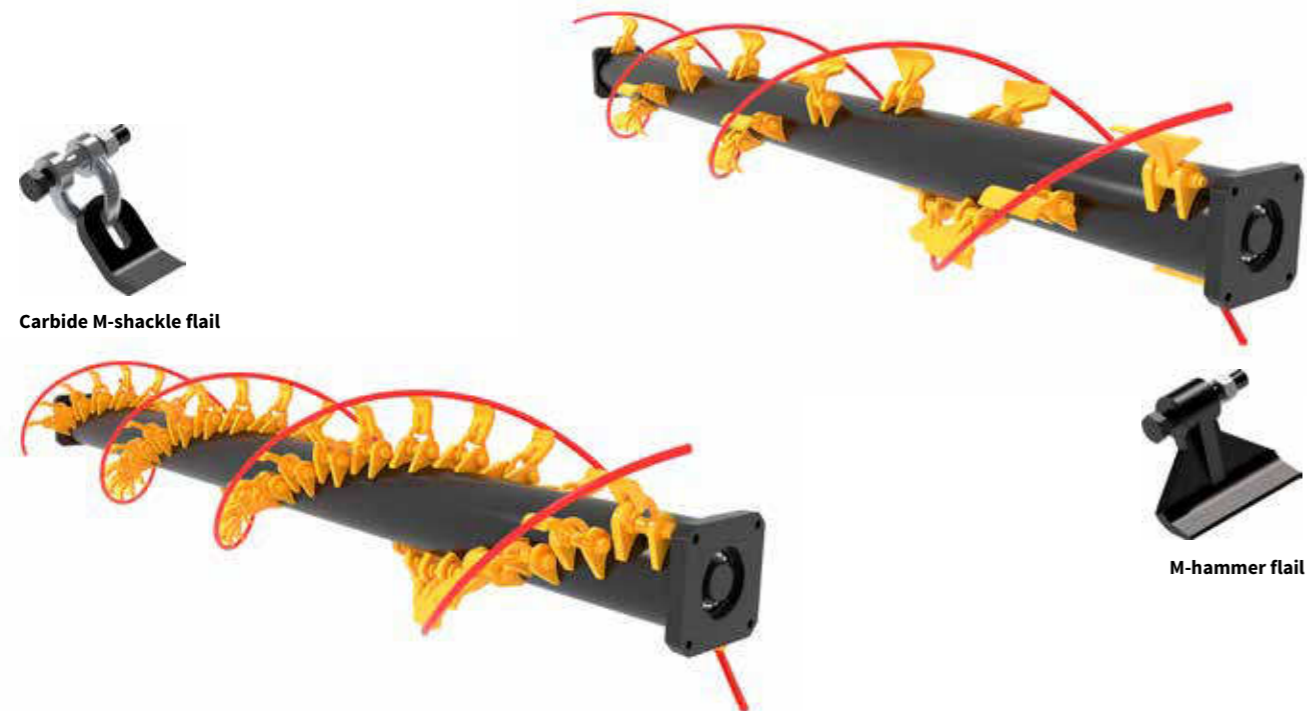
- MU-L/VS
- MU-M/S

TECHNICAL DATA

	ECOTOP	MU-H Vario	MU-H/S Vario	MU-L Vario	MU-L/S Vario	MU-L/VS	MU-M Vario	MU-M/F Vario
Rotor								
Diameter (cm)	14	14	14	16 16 16 18	16	16	17 17 17 19	20
Effective diameter (cm)	40	40	40	42 42 42 44	42	42	44 44 44 45	47
Farmer hammer flail	-	-	-	-	-	-	-	-
M-hammer flail	■	■	■	■	■	■	■	■
M-shackle flail	-	□	□	□	□	□	□	-
Triple Y-blade	-	□	□	□	□	□	□	-
Depth guidance								
Support roller	■	■	■	■	■	■	■	■
Front/rear position	Fixed	Fixed	Fixed	Adjustable	Adjustable	Adjustable	Swivelling	Swivelling
Diameter (cm)	14	14	14	19	19	19	19	19
Support wheels	-	-	-	-	-	-	□	■
Housing								
Wear insert	-	□	□	□	□	□	□	■
Wear runners	-	□	□	□	□	□	■	■
Vario cutting bar	-	□	□	□	□	-	□	□
Short chopping bar (shark fin)	■	■	■	■	■	■	■	■
Second short chopping bar	-	□	□	□	□	□	□	□
Optional equipment								
Front shock-absorbing spring assembly	-	□	-	□	-	-	□	-
MU-SOFA® weight transfer system	-	□	-	□	-	-	□	-
Warning signs with lighting equipment	□	□	□	□	□	□	□	-
Warning signs with LED lighting equipment	-	-	-	-	-	-	□	-
Operating hours counter	-	□	□	□	□	□	□	□

* Some model series can be converted from 540 rpm to 1000 rpm, which makes higher driving powers permissible - in these cases you will see two horsepower values.

- Not available ■ Standard □ Optional



Some illustrations show optional equipment.

The right to technical revision is reserved. Illustrations may not show the latest production version.

	MU-M/S	MU-PRO Vario	MU-PRO/F Vario	MU-PRO/S Vario	MU-Farmer®-Rear	MU-Farmer®-Front	MU-Farmer 670®	MU-Farmer/S®
Rotor								
Diameter (cm)	16	20	20	20	27	27	27	27
Effective diameter (cm)	42	47	47	47	69	69	69	69
Farmer hammer flail	-	-	-	-	■	■	■	■
M-hammer flail	■	■	■	■	-	-	-	-
M-shackle flail	□	□	-	□	-	-	-	-
Triple Y-blade	□	□	-	□	-	-	-	-
Depth guidance								
support roller	■	■	■	■	-	■	-	-
Front/rear position	Adjustable	Swivelling	Swivelling	Swivelling	-	Fixed	-	-
Diameter (cm)	24	24	24	24	-	24	-	-
Support wheels	-	□	□	-	■	-	■	■
Housing								
Wear insert	□	□	■	■	■	■	■	■
Wear runners	■	■	■	■	■	■	■	■
Vario cutting bar	-	□	□	□	-	-	-	-
Short chopping bar (shark fin)	■	■	■	■	■	■	■	■
Second short chopping bar	□	□	□	□	■	■	■	■
Optional equipment								
Front shock-absorbing spring assembly	-	□	-	-	-	-	-	-
MU-SOFA® weight transfer system	-	□	-	-	-	-	-	-
Warning signs with lighting equipment	□	□	-	□	□	□	-	-
Warning signs with LED lighting equipment	-	□	-	-	-	-	■	■
Operating hours counter	□	□	□	□	□	□	□	□

* Some model series can be converted from 540 rpm to 1000 rpm, which makes higher driving powers permissible - in these cases you will see two horsepower values.

- Not available ■ Standard □ Optional

